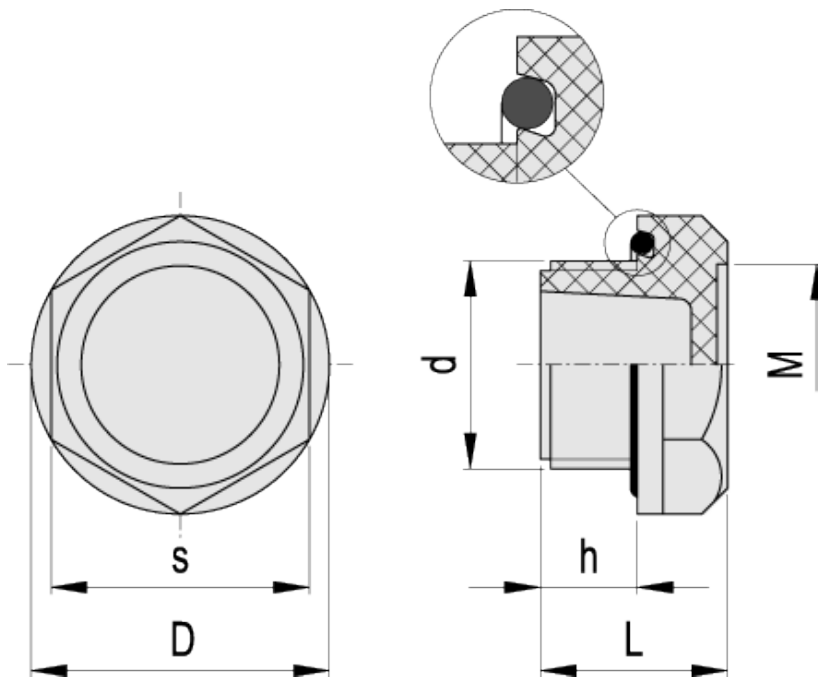


# TNR.

Plugs



ELESA Original design



## technical informations

### Material

Glass-fibre reinforced polyamide based (PA) technopolymer. Resistant to solvents, oils, greases and other chemical agents.

### Colour

Black, matte finish.

### Packing ring

NBR synthetic rubber O-Ring.

### Maximum continuous working temperature

100°C.

### Accessories on request

TNR. plugs are suitable for mounting aluminium plates with graphic symbols type [MH.](#)

Standard Elements		Main dimensions						Tightening torque	Weight
Code	Description	d	h	D	s	L	M	[Nm]	g
158295	TNR. 1/4	G 1/4	9	22	19	17	15	4÷6	4
158296	TNR. 3/8	G 3/8	9	25.5	22	18	17	8÷10	6
158297	TNR. 1/2	G 1/2	11	32	27	20	20.5	8÷10	8
158298	TNR. 3/4	G 3/4	12	37	32	22	25	10÷12	14
158299	TNR. 1	G 1	13	44	38	23	31	12÷15	18
158411	TNR. 1¼	G 1¼	14	53.5	46	26	38	15÷18	32
158413	TNR. 1½	G 1½	15	63.5	55	28	46	15÷18	51



ELESA and GANTER models all rights reserved in accordance with the law. Always mention the source when reproducing our drawings.

STANDARD MACHINE ELEMENTS WORLDWIDE